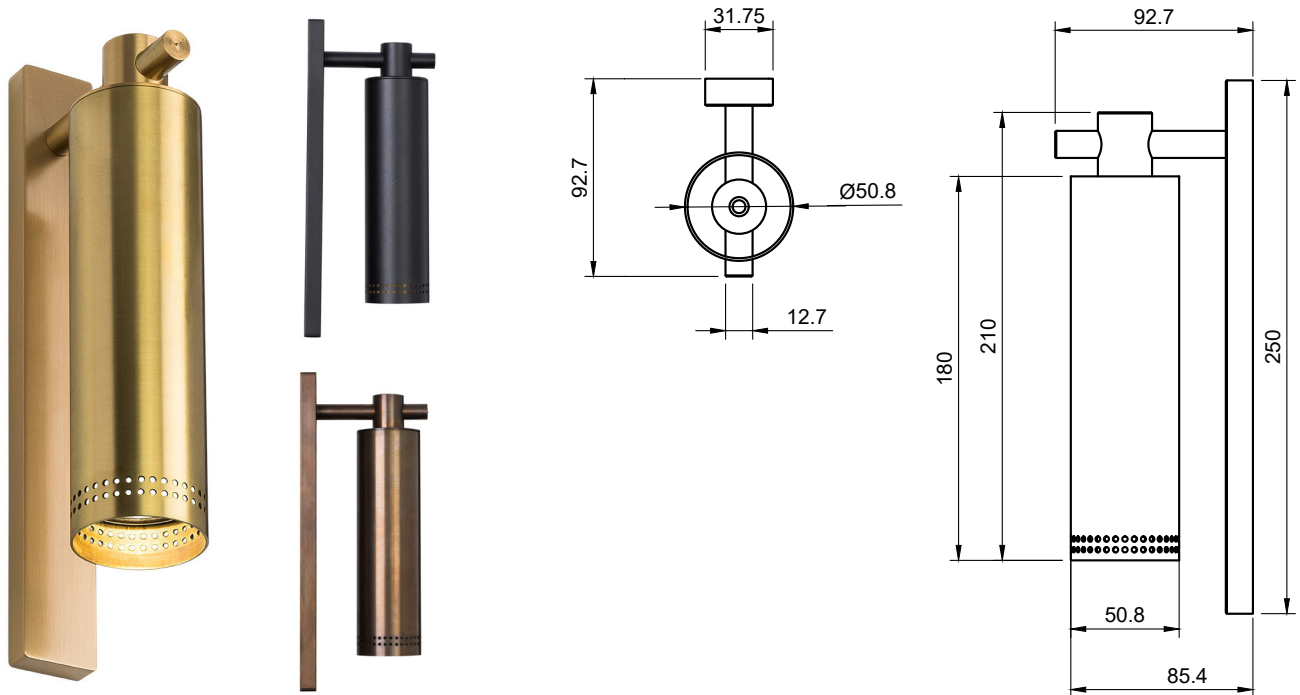


Description:

Belonging to the **Firefly Family** range, the Firefly Deco Spot offers a simple, clean aesthetic with a decorative feature available in various colour temperatures, optics, finishes and control options. The Firefly Family offers a variety of products suitable for various applications. The products contain the same LED chip and optics for a consistent approach. Supplied with cable gland and double insulated cable. The Firefly Family also consists of a **Micro**, **XL** and **Standard Firefly** range creating a full suite of products.



Technical:

LED TYPE	XHP-50 Gen 2	CONTROL GEAR	REMOTE
RATED POWER	4W / 6W / 9W	DIMMING PROTOCOL	DALI - 0-10V - PHASE DIM - ON/OFF
CRI	80	CABLE LENGTH	500MM STANDARD LENGTH
BEAM ANGLES	NOMINATED IN TABLE BELOW	MOUNTING OPTIONS	SURFACE MOUNTED
INPUT POWER	350mA / 700mA / 1050mA - 6V	WEIGHT	0.6KG
NOMINAL LUMENS	495lm - 1485lm	HARDWARE	GLASS LENS, O-RING, GLAND, CABLE
IP RATING	IP65	CONSTRUCTION	MACHINED METAL & HEATSINK
COLOUR TEMPERATURE	2700K - 3000K - 4000K	WARRANTY	2 YEARS

Product Generator: example 7033-BR-M-30-S-4W-1-1

Model	Finish	Beam Angle	CCT	Mounting	Wattage	Dimming	Accessory
NL7033	AB Aged Brass	N Narrow 25°	27 2700K	S Surface Mount	4W / 350mA	1 DALI	1 Honeycomb Louver
	BR Brushed Brass	M Medium 30°	30 3000K		6W / 700mA	2 0-10V	2 Diffuser Lens
	PB Black	W Wide 47°	40 4000K		9W / 1050mA	3 Phase	3 Elliptical Lens 26°x41°
	PW White					4 On/Off	
	CC Custom						

NL7033	-	-	-	-	-	-	-
--------	---	---	---	---	---	---	---