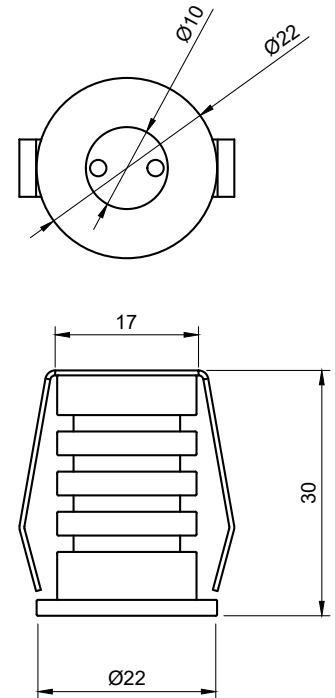


**Description:**

Recessed Micro Down Light, 1W CREE XLAMP XP-G3, various colour temperatures and beam angles. Machined Aluminium Construction/ Machined Solid Brass Construction, Powder coated finish or Brass (Aged) Finish. IP20.


**Technical:**

LED TYPE	CREE XLAMP XP-G3	CONTROL GEAR	REMOTE
RATED POWER	1W	DIMMING PROTOCOL	DALI - 0-10V - PHASE DIM - ON/OFF
CRI	80	CABLE LENGTH	500MM STANDARD LENGTH
BEAM ANGLES	NOMINATED IN TABLE BELOW	MOUNTING OPTIONS	RECESSED
INPUT POWER	350mA	WEIGHT	0.2KG
NOMINAL LUMENS	190lm	HARDWARE	GLASS LENS, O-RING, GLAND, CABLE
IP RATING	IP20	CONSTRUCTION	MACHINED METAL & HEATSINK
COLOUR TEMPERATURE	2700K - 3000K - 4000K	WARRANTY	2 YEARS

**Product Generator:** example 1919-PB-M-30-R-3W-1-1

Model	Finish	Beam Angle	CCT	Mounting	Wattage	Dimming	Accessory
NL1919	AB Aged Brass	N Narrow 10°	27 2700K	R Recessed	1W / 350mA	1 DALI	N/A
	BR Brushed Brass	M Medium 21°	30 3000K			2 0-10V	
	SS Stainless Steel	W Wide 33°	40 4000K			3 Phase	
	PB Black					4 On/Off	
	PW White						
	CC Custom						

NL1919	-	-	-	-	-	-	-
--------	---	---	---	---	---	---	---