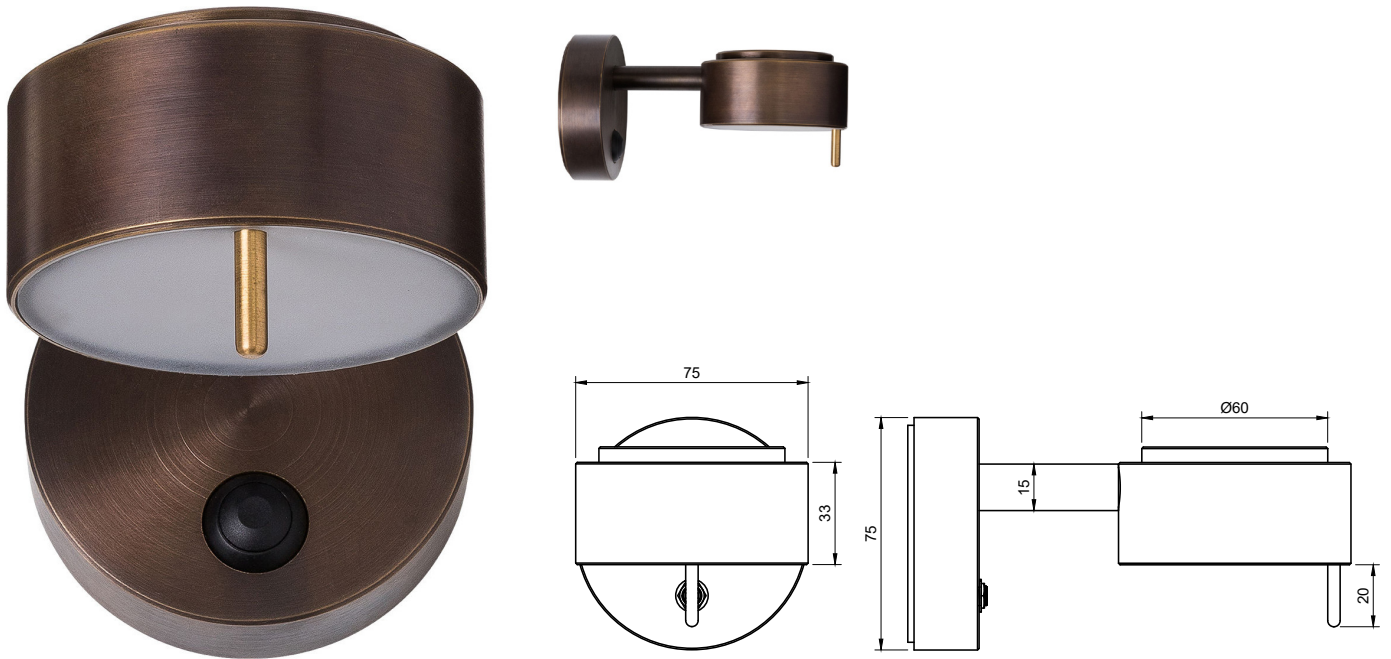


Description:

Decorative wall light, 4W XHP-50, available in various colour temperatures, IP20, various beam angles, finished in Brass (Aged), with or without diffuser lens, Double sealed body with Nitrile O-Rings, pre-fitted 500mm lead, remote 700mA constant current.



Technical:

LED TYPE	XHP-50 Gen 2	CONTROL GEAR	REMOTE
RATED POWER	4W	DIMMING PROTOCOL	DALI - 0-10V - PHASE DIM - ON/OFF
CRI	80	CABLE LENGTH	500MM STANDARD LENGTH
BEAM ANGLES	NOMINATED IN TABLE BELOW	MOUNTING OPTIONS	SURFACE WALL
INPUT POWER	700mA / 6V	WEIGHT	0.7KG
NOMINAL LUMENS	900lm	HARDWARE	LENS, O-RING, GLAND, CABLE
IP RATING	IP20	CONSTRUCTION	MACHINED METAL & HEATSINK
COLOUR TEMPERATURE	2700K - 3000K - 4000K	WARRANTY	2 YEARS

Product Generator: example 1920-AB-D-30-W-4W-N/A

Model	Finish	Beam Angle	CCT	Mounting	Wattage	Dimming	Accessory
NL1920	AB Aged Brass	D Diffused	27 2700K	W Wall	4W / 700mA	1 DALI	N/A
	CC Custom		30 3000K			2 0-10V	
			40 4000K			3 Phase	
						4 On/Off	

NL1920	-	-	-	-	-	-	-
--------	---	---	---	---	---	---	---