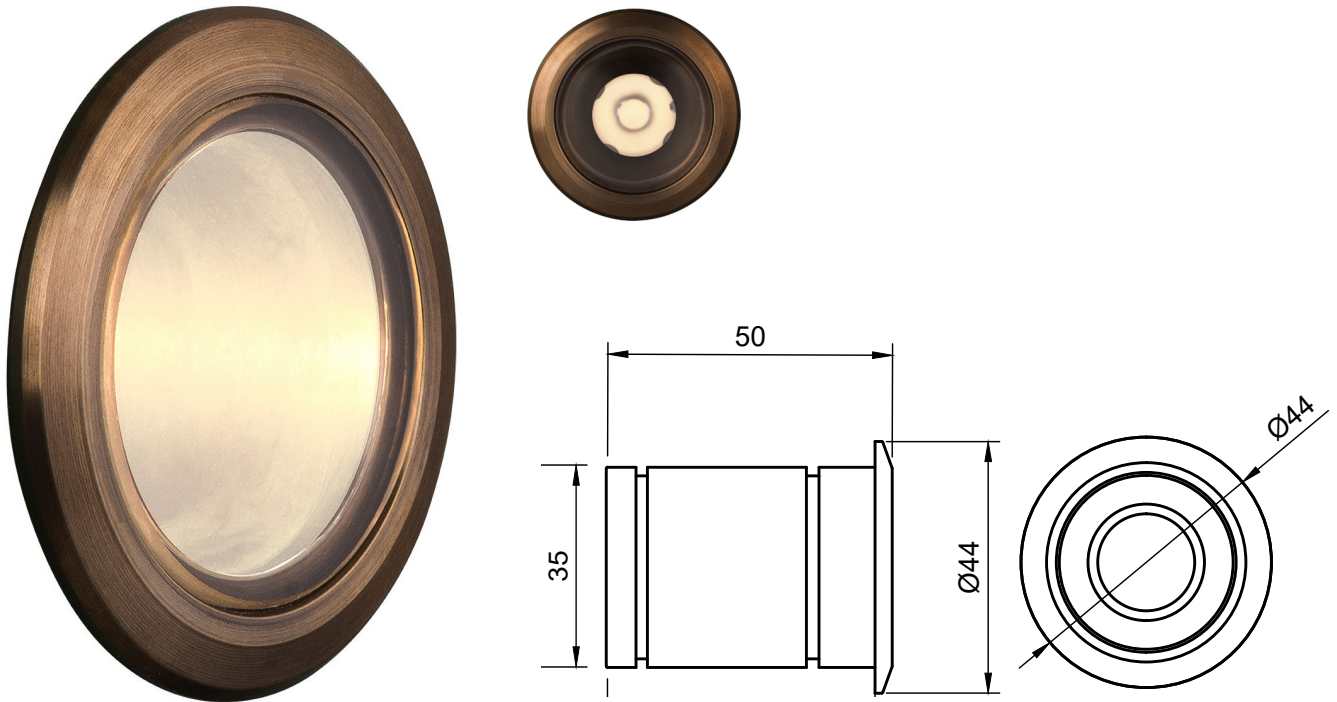


Description:

Recessed, deep baffled with or without Glass Lens cover, Ceiling/Wall/Floor Light, 1Watt or 3Watt CREE XLAMP XP-G3, various colour temperatures, IP65, Machined Body in solid Brass / Aged Solid Brass, Machined 6061 Aluminium, Double sealed using Nitrile O-Rings, Borosilicate Glass lens, Brass Cable gland, pre-fitted 500mm exterior rated power cable, optional ceiling recess clip / recess sleeve or Surface mount sleeve available separately. Cut-out 35mm.



Technical:

LED TYPE	CREE XLAMP XP-G3	CONTROL GEAR	REMOTE
RATED POWER	1W - 3W	DIMMING PROTOCOL	DALI - 0-10V - PHASE DIM - ON/OFF
CRI	80	CABLE LENGTH	500MM STANDARD LENGTH
BEAM ANGLES	NOMINATED IN TABLE BELOW	MOUNTING OPTIONS	RECESSED
INPUT POWER / FORWARD VOLTAGE	350mA - 700mA / 3V	WEIGHT	0.2KG
NOMINAL LUMENS	190lm - 380lm	HARDWARE	GLASS LENS, O-RING, GLAND, CABLE
IP RATING	IP65	CONSTRUCTION	MACHINED METAL & HEATSINK
COLOUR TEMPERATURE	2700K - 3000K - 4000K	WARRANTY	2 YEARS

Product Generator: example 1529-AB-M-30-R-3W-2-1

Model	Finish	Beam Angle	CCT	Mounting	Wattage	Dimming	Accessory
NL1529	AB Aged Brass	N Narrow 10°	27 2700K	R Recessed	1W / 350mA	1 DALI	1 Honeycomb Louver
	CC Custom	M Medium 21°	30 3000K		3W / 700mA	2 0-10V	2 Surface Can
		W Wide 33°	40 4000K			3 Phase	
						4 On/Off	

NL1529	-	-	-	-	-	-	-
--------	---	---	---	---	---	---	---