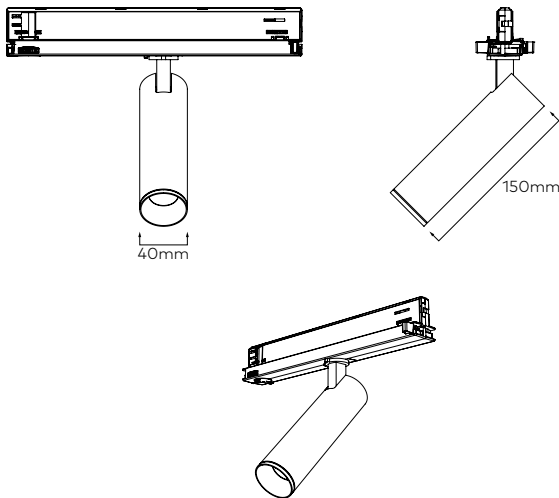


# Tube 40 - In Track Driver



## Specification

<b>Bezel</b>	Ø40mm
<b>Length</b>	Tube length : 150mm
<b>Luminaire material</b>	Powder coated aluminium
<b>IP Rating</b>	IP20
<b>Adjustable</b>	350° Horizontal axis and 90° vertical axis

## LED Specification

Typical Output (35° / 3000K)	LED Power	System Power	CRI>80	CRI>90
	9W (250mA)	11W	953lm	815lm
12W (350mA)	15W	1312lm	1116lm	
<b>CCT</b>	2700°K, 3000°K, 4000°K			
<b>CRI</b>	>80Ra & >90Ra options			
<b>Optics</b>	15°, 25°, 35°, 50°			
<b>Driver</b>	In Track constant current			
<b>Optional accessories</b>	Honeycomb louvre, solite lens & spread lens			

## Ordering Information example 240401L15.1221T4-H

MODEL	FINISH	LED CCT	DRIVER	POWER / CRI	MOUNTING	OPTIONAL ACCESSORIES
240401L15. Spot 15°	1 White	2 2700°K	1 Non-dimming	11 11W CRI >80	T4 Multi circuit track	-H Honeycomb Louvre
240401L25. Narrow 25°	2 Black	3 3000°K	2 Phase dimming	11C 11W CRI >90	T6 Multi circuit data bus track	-SO Solite Lens
240401L35. Medium 35°		4 4000°K	4 DALI Dimming <sup>(i)</sup>	15 15W CRI >80		-SL Spread Lens
240401L50. Wide 50°				15C 15W CRI >90		