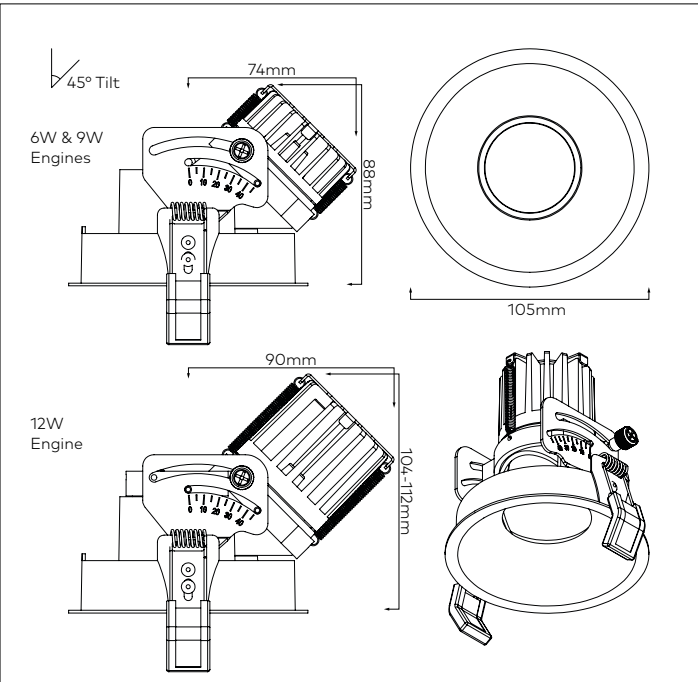




PROJECT		TYPE
SPECIFIER		
DATE		
NOTES		
PRODUCT CODE		

BEVEL ADJUSTABLE MEDIUM

'Bevel' ADJUSTABLE medium, is a deep regressed adjustable downlight, with a minimal trim, designed with a family of fixed and wallwash options in the same size to ensure uniformity of appearance when used in the same space. Available with a selection of 'light engines' that are common across the "Accent" range to achieve common light quality and appearance between recessed / surface downlights and track spots. 'Light engines' are available in varying output, colour temperature / warm dimmable, colour rendering and beam angles with interchangeable lenses. The light engine can be adjusted and locked up to a 45degree angle for optimal aiming. 'Bevel' adjustable medium is supplied with a powder coated aluminium housing, sold complete with your selected 'Light Engine'.



DIMENSIONS

DIAMETER	WIDTH	HEIGHT	LENGTH	CUT OUT	CEILING THICKNESS
Ø105mm	N/A	As shown	N/A	Ø98mm	6-25mm

TECHNICAL DATA

Lamp type	Citizen	Supply voltage	See LED specification table
Lamp wattage & Delivered lumens ⁽¹⁾	6W : 402lm	6W WD : 263lm	Glow wire resistance
	9W : 621lm	9W WD : 398lm	850°
	12W : 829lm	12W WD : 509lm	LED maintenance
Lamp life	50,000hrs L70	Mounting surface classification	Integrated
Binning	2-Step MacAdams	Connection type	Flex and Plug
CRI	90Ra	Protection classification	II
Control gear	Remote	Standards	EN/AS/NZS 60598-2-2, 62031, 62471
Materials	Cast aluminium, matt powder coated	Warranty	5 years

⁽¹⁾ Luminous flux @3000K with medium optics. Please see the full specifications for further photometric data.

SPECIFICATION

RANGE	STYLE	SIZE	MOUNTING	TYPE	BEAM ANGLE	FINISH	CCT	DRIVER	ENGINE / POWER	IP RATING	ACCESSORY
Accent	Bevel	Medium	Recessed	Adjustable	10° (L10) 20° (L20) 35° (L35) 45° (L45) 60° (L60)	White (1) Black (2)	2700K (2) 3000K (3) 4000K (4) Warm Dim 2700-1800K (2718)	Phase (2) 0-10V (3) DALI (8)	6W (BF6) 9W (B9) 12W (C12) Warm Dim (B6W,B9W,C12W)	IP20 IP44 (4)	Honeycomb Louvre (-H) Solite Lens (-SO) Spread Lens (-SL)

ORDER CODE (Bold above denotes code)

A	B	M	R	A	.						
---	---	---	---	---	---	--	--	--	--	--	--