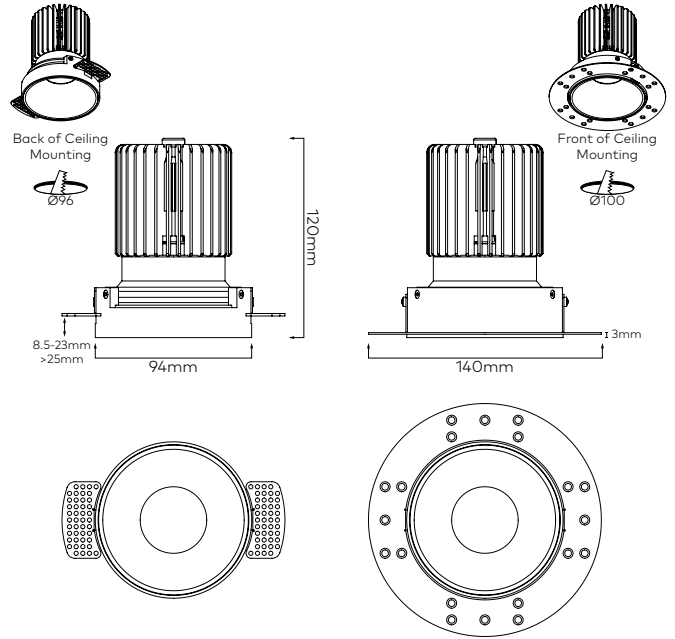


DARK ROUND TRIMLESS 100



LUMINAIRE SPECIFICATION

Height	Refer to line drawing
Bezel	Ø94mm
Hole cut-out	Back of ceiling : Ø96mm Front of ceiling : Ø100mm
Luminaire material	Aluminium with textured powder coat finish.
Light source	COB LED
Optics	Interchangeable lens & reflectors
Driver	Remote
IP Rating	IP20 and IP44 options
Optional accessories	Honeycomb louvre Solite lens Spread lens

Allow 3mm of additional height per accessory

LED SPECIFICATION

LED	Citizen high intensity	
Source LED output	12W	1389lm
	16W	1803lm
	20W	2088lm
Typical delivered output	12W	1316lm
	16W	1689lm
	20W	1964lm
CCT	2700K, 3000K, 4000K	
CRI	>90Ra	
Binning	2 Step	
Optics	15°, 25°, 35°, 50°	
Lifetime (L70)	>50,000 hrs based on LM-80 and TM-21 manufacturers applicable test data	
Driver requirement	Constant current	
Drive current	12W : 350mA 16W : 450mA 20W : 550mA	
Forward voltage	35VDC	

REFLECTOR OPTIONS



ORDERING INFORMATION

example 23533L35.1SC32D20C-FC

BEAM ANGLE	FINISH	REFLECTOR	LED CCT	DRIVER	VERSION	IP RATING	MOUNTING	ACCESSORIES
23533L15 15°	1 White	SC Silver chrome	2 2700K	1 Non dimming	C12C 12W CRI >90	IP20	-BC Back of ceiling	-H Honeycomb louvre
23533L25 25°	2 Black	DC Dark chrome	3 3000K	2 Phase dimming	D16C 16W CRI >90	4 IP44	-FC Front of ceiling	-SO Solite lens
23533L35 35°	7 Silver	MB Matt black	4 4000K	3 0-10V dimming	D20C 20W CRI >90		-SL Spread lens	
23533L50 50°		MW Matt white		4 DALI dimming				