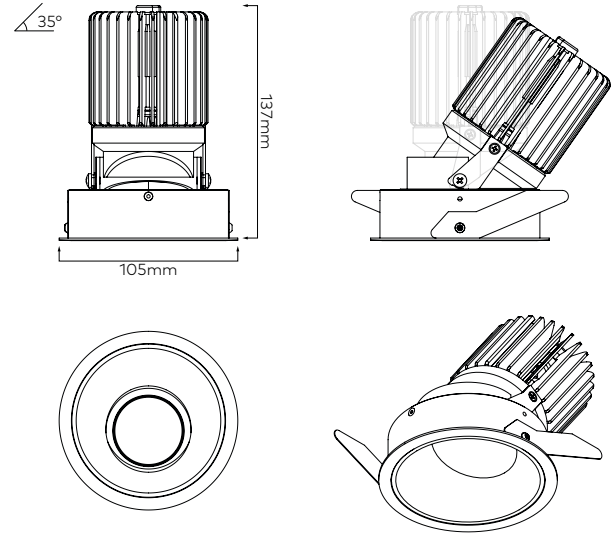


## DARK ROUND TILT 100



### LUMINAIRE SPECIFICATION

Height	Refer to line drawing
Bezel	Ø105mm
Hole cut-out	Ø100mm
Adjustability	35° Tilt
Luminaire material	Aluminium with textured powder coat finish.
Light source	COB LED
Optics	Interchangeable lens & reflectors
Driver	Remote
IP Rating	IP20 and IP44 options
Optional accessories	Honeycomb louvre Solite lens Spread lens

Allow 3mm of additional height per accessory

### LED SPECIFICATION

LED	Citizen high intensity	
Source LED output	12W	1389lm
	16W	1803lm
	20W	2088lm
Typical delivered output	12W	1195lm
	16W	1535lm
	20W	1784lm
CCT	2700K, 3000K, 4000K	
CRI	>90Ra	
Binning	2 Step	
Optics	15°, 25°, 35°, 50°	
Lifetime (L70)	>50,000 hrs based on LM-80 and TM-21 manufacturers applicable test data	
Driver requirement	Constant current	
Drive current	12W : 350mA 16W : 450mA 20W : 550mA	
Forward voltage	35VDC	

### REFLECTOR OPTIONS



### ORDERING INFORMATION

example 23535L35.1SC32D20C-H

BEAM ANGLE	FINISH	REFLECTOR	LED CCT	DRIVER	VERSION	IP RATING	ACCESSORIES
23535L15 15°	1 White	SC Silver chrome	2 2700K	1 Non dimming	C12C 12W CRI >90	IP20	-H Honeycomb louvre
23535L25 25°	2 Black	DC Dark chrome	3 3000K	2 Phase dimming	D16C 16W CRI >90	4 IP44	-SO Solite lens
23535L35 35°	7 Silver	MB Matt black	4 4000K	3 0-10V dimming	D20C 20W CRI >90		-SL Spread lens
23535L50 50°		MW Matt white		4 DALI dimming			