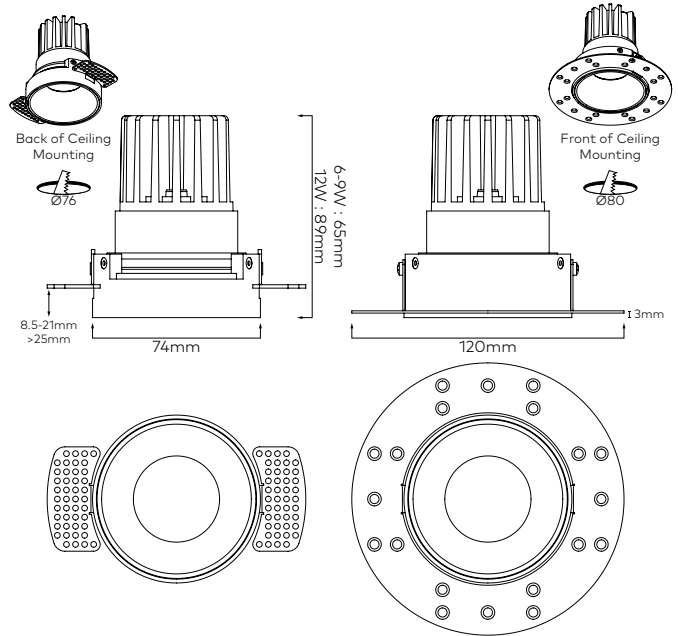


DARK ROUND TRIMLESS 80



LUMINAIRE SPECIFICATION

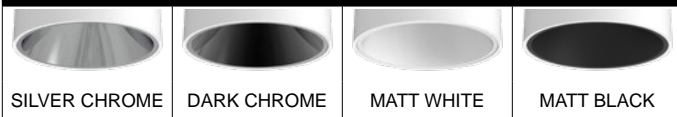
Height	Refer to line drawing
Bezel	Ø74mm
Hole cut-out	Back of ceiling : Ø76mm Front of ceiling : Ø80mm
Luminaire material	Aluminium with textured powder coat finish.
Light source	COB LED
Optics	Interchangeable lens & reflectors
Driver	Remote
IP Rating	IP20 and IP44 options
Optional accessories	Honeycomb louvre Solite lens Spread lens

Allow 3mm of additional height per accessory

LED SPECIFICATION

LED	Citizen high intensity	
Source LED output	6.3W	681lm
	9W	1012lm
	12W	1362lm
Typical delivered output	6.3W	610lm
	9W	904lm
	12W	1221lm
CCT	2700K, 3000K, 4000K	
CRI	>90Ra	
Binning	2 Step	
Optics	15°, 25°, 35°, 50°	
Lifetime (L70)	>50,000 hrs based on LM-80 and TM-21 manufacturers applicable test data	
Driver requirement	Constant current	
Drive current	6.3W	: 700mA
	9W	: 250mA
	12W	: 350mA
Forward voltage	6.3W	: 9VDC
	9W & 12W	: 36VDC

REFLECTOR OPTIONS



ORDERING INFORMATION

example 23433L35.1SC32B9C-FC

BEAM ANGLE	FINISH	REFLECTOR	LED CCT	DRIVER	VERSION	IP RATING	MOUNTING	ACCESSORIES
23433L15 15°	1 White	SC Silver chrome	2 2700K	1 Non dimming	B6C 6.3W CRI >90	IP20	-BC Back of ceiling	-H Honeycomb louvre
23433L25 25°	2 Black	DC Dark chrome	3 3000K	2 Phase dimming	B9C 9W CRI >90	4 IP44	-FC Front of ceiling	-SO Solite lens
23433L35 35°	7 Silver	MB Matt black	4 4000K	3 0-10V dimming	C12C 12W CRI >90			-SL Spread lens
23433L50 50°		MW Matt white		4 DALI dimming				