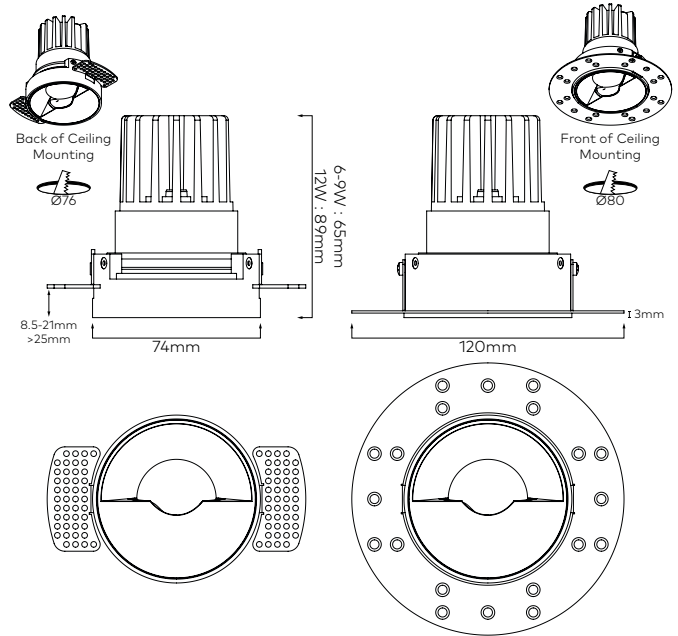


DARK ROUND TRIMLESS WALLWASH 80



LUMINAIRE SPECIFICATION

Height	Refer to line drawing
Bezel	Ø74mm
Hole cut-out	Back of ceiling : Ø76mm Front of ceiling : Ø80mm
Luminaire material	Aluminium with textured powder coat finish.
Light source	COB LED
Optics	Interchangeable lens & reflectors
Driver	Remote
IP Rating	IP20 and IP44 options

LED SPECIFICATION

LED	Citizen high intensity	
Source LED output	6.3W	681lm
	9W	1012lm
	12W	1362lm
Typical delivered output	6.3W	448lm
	9W	663lm
	12W	896lm
CCT	2700K, 3000K, 4000K	
CRI	>90Ra	
Binning	2 Step	
Optics	35° with wallwash reflector	
Lifetime (L70)	>50,000 hrs based on LM-80 and TM-21 manufacturers applicable test data	
Driver requirement	Constant current	
Drive current	6.3W : 700mA	
	9W : 250mA	
	12W : 350mA	
Forward voltage	6.3W : 9VDC	
	9W & 12W : 36VDC	

ORDERING INFORMATION

example 23443L35.1SC32B9C-FC

BEAM ANGLE	FINISH	REFLECTOR	LED CCT	DRIVER	VERSION	IP RATING	MOUNTING
23443L35 35°	1 White	SC Silver chrome	2 2700K	1 Non dimming	B6C 6.3W CRI >90	4 IP20	-BC Back of ceiling -FC Front of ceiling
	2 Black		3 3000K	2 Phase dimming			
	7 Silver		4 4000K	3 0-10V dimming	C12C 12W CRI >90		
				4 DALI dimming			