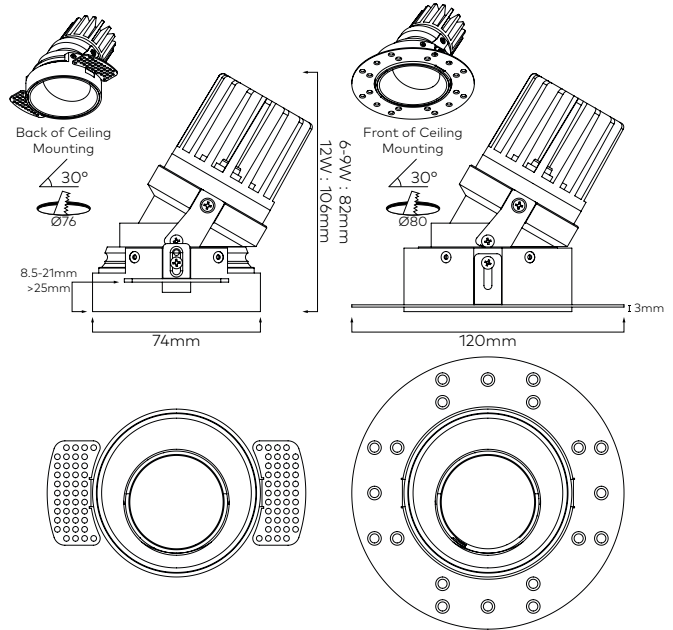


## DARK ROUND TRIMLESS TILT 80



### LUMINAIRE SPECIFICATION

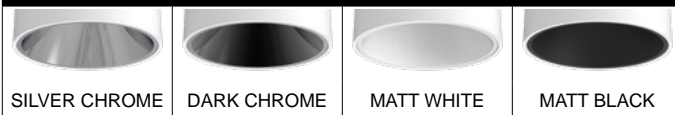
<b>Height</b>	Refer to line drawing
<b>Bezel</b>	Ø74mm
<b>Hole cut-out</b>	Back of ceiling : Ø76mm Front of ceiling : Ø80mm
<b>Adjustability</b>	30° Tilt
<b>Luminaire material</b>	Aluminium with textured powder coat finish.
<b>Light source</b>	COB LED
<b>Optics</b>	Interchangeable lens & reflectors
<b>Driver</b>	Remote
<b>IP Rating</b>	IP20 and IP44 options
<b>Optional accessories</b>	Honeycomb louvre Solite lens Spread lens

Allow 3mm of additional height per accessory

### LED SPECIFICATION

<b>LED</b>	Citizen high intensity	
<b>Source LED output</b>	<b>6.3W</b>	681lm
	<b>9W</b>	1012lm
	<b>12W</b>	1362lm
<b>Typical delivered output</b>	<b>6.3W</b>	566lm
	<b>9W</b>	838lm
	<b>12W</b>	1133lm
<b>CCT</b>	2700K, 3000K, 4000K	
<b>CRI</b>	>90Ra	
<b>Binning</b>	2 Step	
<b>Optics</b>	15°, 25°, 35°, 50°	
<b>Lifetime (L70)</b>	>50,000 hrs based on LM-80 and TM-21 manufacturers applicable test data	
<b>Driver requirement</b>	Constant current	
<b>Drive current</b>	6.3W : 700mA	
	9W : 250mA	
	12W : 350mA	
<b>Forward voltage</b>	6.3W : 9VDC	
	9W & 12W : 36VDC	

### REFLECTOR OPTIONS



### ORDERING INFORMATION

example 23437L35.1SC32B9C-FC

BEAM ANGLE	FINISH	REFLECTOR	LED CCT	DRIVER	VERSION	IP RATING	MOUNTING	ACCESSORIES
23437L15 15°	1 White	SC Silver chrome	2 2700K	1 Non dimming	B6C 6.3W CRI >90	IP20	-BC Back of ceiling	-H Honeycomb louvre
23437L25 25°	2 Black	DC Dark chrome	3 3000K	2 Phase dimming	B9C 9W CRI >90	4 IP44	-FC Front of ceiling	-SO Solite lens
23437L35 35°	7 Silver	MB Matt black	4 4000K	3 0-10V dimming	C12C 12W CRI >90		-SL Spread lens	
23437L50 50°		MW Matt white		4 DALI dimming				