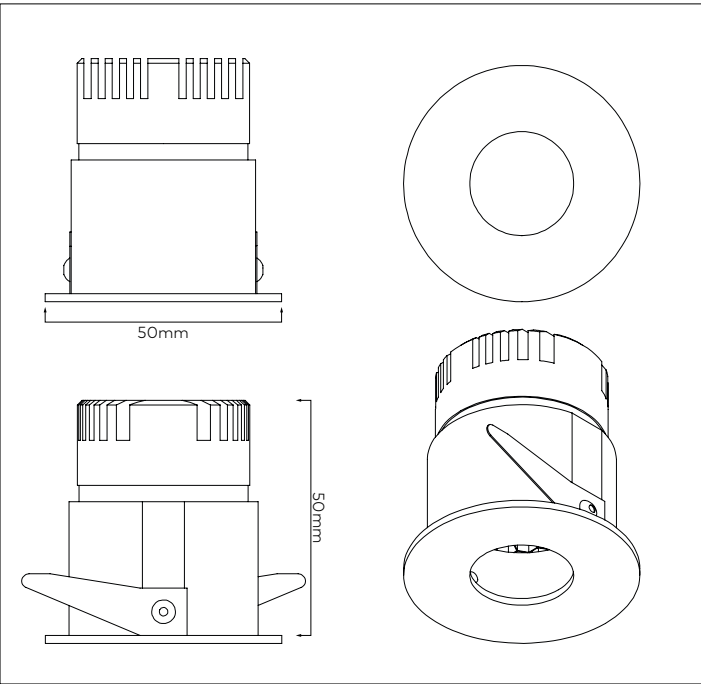




PROJECT		TYPE
SPECIFIER		
DATE		
NOTES		
PRODUCT CODE		

PINHOLE FIXED MINI

'Pinhole' FIXED mini is a deep regressed miniature downlight with matching tilt adjustable version in the same size. Replaceable LED module is available in varying output, colour temperature, and beam angles. Pinhole fixed mini is deep regressed for enhanced visual comfort. 'Pinhole' fixed mini is supplied with a powder coated cast aluminium housing.



DIMENSIONS

DIAMETER	WIDTH	HEIGHT	LENGTH	CUT OUT
Ø50mm	N/A	50mm	N/A	Ø43mm

TECHNICAL DATA

Lamp type	Citizen	Supply voltage	See LED specification table
Lamp wattage & Delivered lumens ⁽¹⁾	2W : 193lm	Glow wire resistance	850°
	5W : 359lm 5W WD : 308m	LED maintenance	Integrated
Lamp life	50,000hrs L70	Mounting surface classification	▽
Binning	2-Step MacAdams	Connection type	Flex and Plug
CRI	90Ra	Protection classification	⚡
Control gear	Remote	Standards	EN/AS/NZS 60598-2-2, 62031, 62471
Materials	Cast aluminium, matt powder coated	Warranty	5 years

⁽¹⁾ Luminous flux @3000K with medium optics and honeycomb louvre accessory. Please see the full specifications for further photometric data.

SPECIFICATION

RANGE	STYLE	SIZE	MOUNTING	TYPE	BEAM ANGLE	FINISH	CCT	DRIVER	ENGINE / POWER	IP RATING	ACCESSORY
Accent	Pinhole	Mini (MI)	Recessed	Fixed	15° (L15) 25° (L25) 40° (L40)	White (1) Black (2)	2700K (2) 3000K (3) 4000K (4) Warm Dim 2700-1800K (2718)	Phase (2) 0-10V (3) DALI (8)	2W (A2) 5W (A5) 5W Warm Dim (A5W)	IP20 IP44 (4)	Honeycomb Louvre (-H)

ORDER CODE (Bold above denotes code)

A	P	MI	R	F		.					
----------	----------	-----------	----------	----------	--	---	--	--	--	--	--