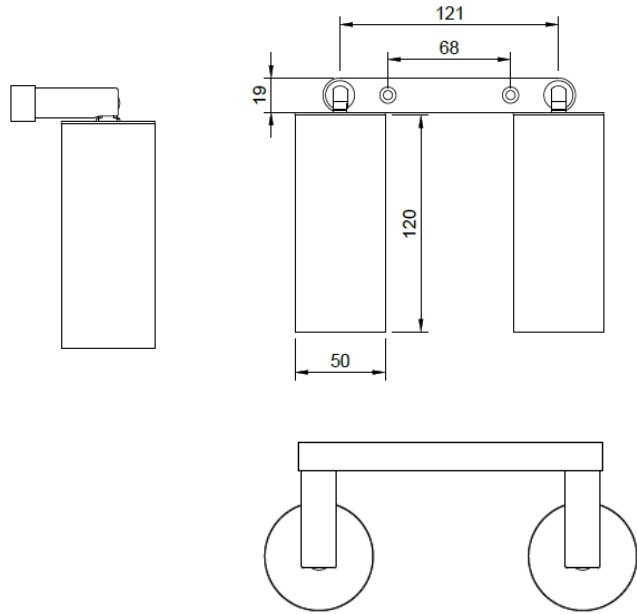


## Description:

Belonging to the **Firefly Family** range, the Firefly Spot offers a simple, clean aesthetic available in various colour temperatures, optics, finishes and control options. The Firefly Family offers a variety of products suitable for various applications. The products contain the same LED chip and optics for a consistent approach. Supplied with cable gland and double insulated cable. The Family also consists of a **Micro**, **XL** and **Deco** range creating a full suite of products.



## Technical:

LED TYPE	XHP-50 Gen 2	CONTROL GEAR	REMOTE
RATED POWER	4W / 6W / 9W	DIMMING PROTOCOL	DALI - 0-10V - PHASE DIM - ON/OFF
CRI	80	CABLE LENGTH	500MM STANDARD LENGTH
BEAM ANGLES	NOMINATED IN TABLE BELOW	MOUNTING OPTIONS	SURFACE MOUNTED
INPUT POWER	350mA / 700mA / 1050mA - 8V / 9V	WEIGHT	0.6KG
NOMINAL LUMENS	300lm - 780lm	HARDWARE	GLASS LENS, O-RING, GLAND, CABLE
IP RATING	IP65	CONSTRUCTION	MACHINED METAL & HEATSINK
COLOUR TEMPERATURE	2700K - 3000K - 4000K	WARRANTY	2 YEARS

## Product Generator: example 7003-PW-M-30-S-4W-DALI-HC

Model	Finish	Beam Angle	CCT	Moun	Wa age	Dimming	Accessory
NL7004	AB Aged Brass	N Narrow 25°	27 2700K	SM Surface Mount	2x4W / 350mA	DALI	HC Honeycomb Louver
	NB Natural Brass	M Medium 30°	30 3000K		2x6W / 700mA	0-10V	DL Diffuser Lens
	PB Black	W Wide 47°	40 4000K		2x9W /1050mA	Phase	DS Deep set module
	PW White	EL Elliptical 26°x41°					
	CC Custom						

NL7004	-	Custom	-	Narrow	-	2700K	-	SM	-	9W	-	On/Off	-	HC
--------	---	--------	---	--------	---	-------	---	----	---	----	---	--------	---	----