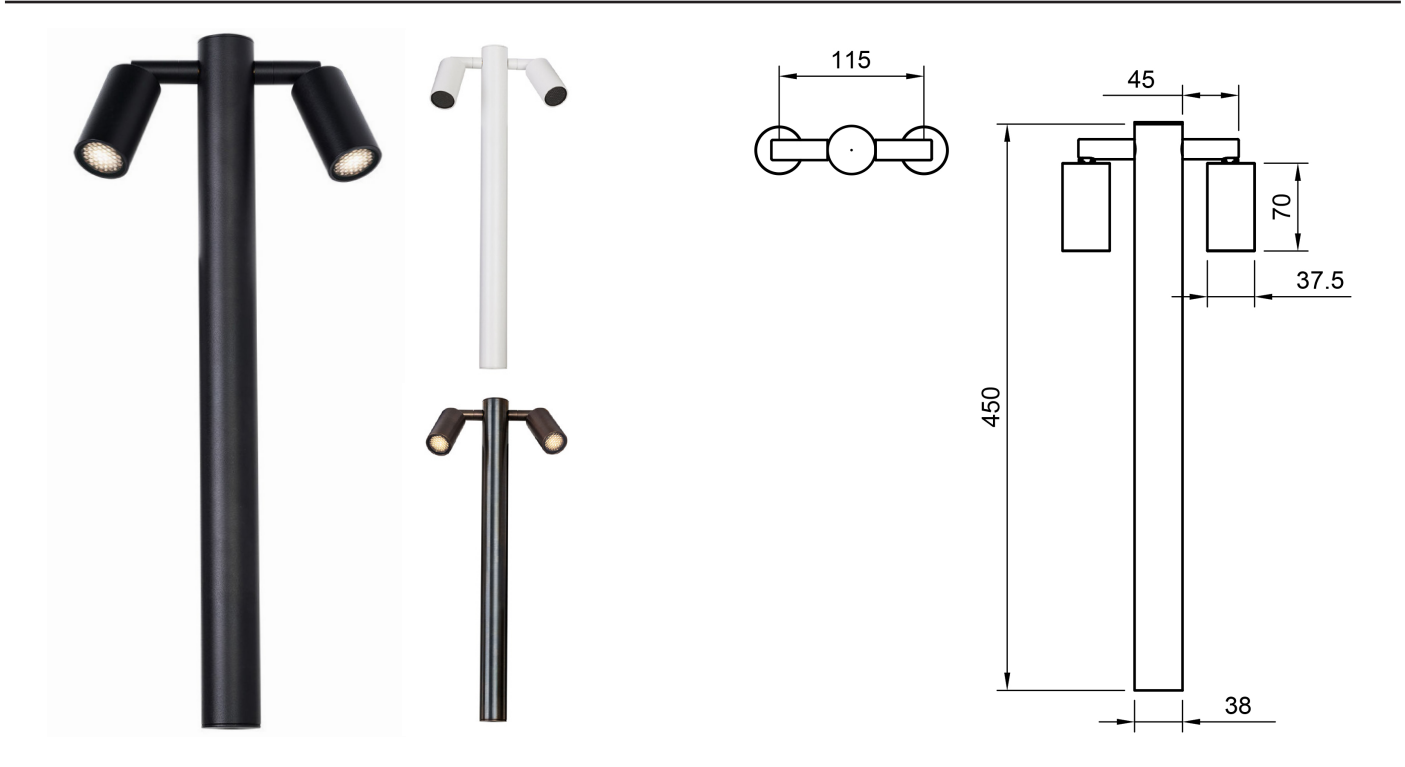


**Description:**

Belonging to the **Twiggy family**, the Twiggy Bollard Double is a double directional spotlight with single pole mounting supplied with a CREE XLamp XP-G3. Available in various colour temperatures, beam angles and finishes. IP65, Borosilicate Glass Lens, pre-fitted Honey Comb Baffle, pre-fitted 500mm lead.



**Technical:**

LED TYPE	CREE XLAMP XP-G3	CONTROL GEAR	REMOTE
RATED POWER	2x 1W - 2x 3W	DIMMING PROTOCOL	DALI - 0-10V - PHASE DIM - ON/OFF
CRI	80	CABLE LENGTH	500MM STANDARD LENGTH
BEAM ANGLES	NOMINATED IN TABLE BELOW	MOUNTING OPTIONS	SURFACE FLOOR
INPUT POWER / FORWARD VOLTAGE	NOMINATED IN TABLE BELOW / 6V	WEIGHT	ON REQUEST
NOMINAL LUMENS	2x 155lm - 2x 285lm	HARDWARE	GLASS LENS, CABLE
IP RATING	IP65	CONSTRUCTION	MACHINED METAL
COLOUR TEMPERATURE	2700K - 3000K - 4000K	WARRANTY	2 YEARS

**Product Generator:** example 1603CC-AB-M-30-F-2W-ON/OFF-N/A

Model	Finish	Beam Angle	CCT	Mounting	Wattage	Dimming	Accessory
NL1603CC	AB Aged Brass	N Narrow 10°	27 2700K	SP Spike Bollard	2W / 350mA	DALI	Honeycomb Louvre
	NB Natural Brass	M Medium 21°	30 3000K		6W / 700mA	0-10V	Diffuser Lens
	PB Black	W Wide 33°	40 4000K			PHASE	Burrial Plate
	PW White					ON/OFF	
NL1603CV	AB Aged Brass	N Narrow 10°	27 2700K	SP Spike Bollard	2W / 24V DC	DALI	Honeycomb Louvre
	NB Natural Brass	M Medium 21°	30 3000K		6W / 24V DC	0-10V	Diffuser Lens
	PB Black	W Wide 33°	40 4000K			PHASE	Burrial Plate
	PW White					ON/OFF	

NL1603	-		-		-		-	
--------	---	--	---	--	---	--	---	--