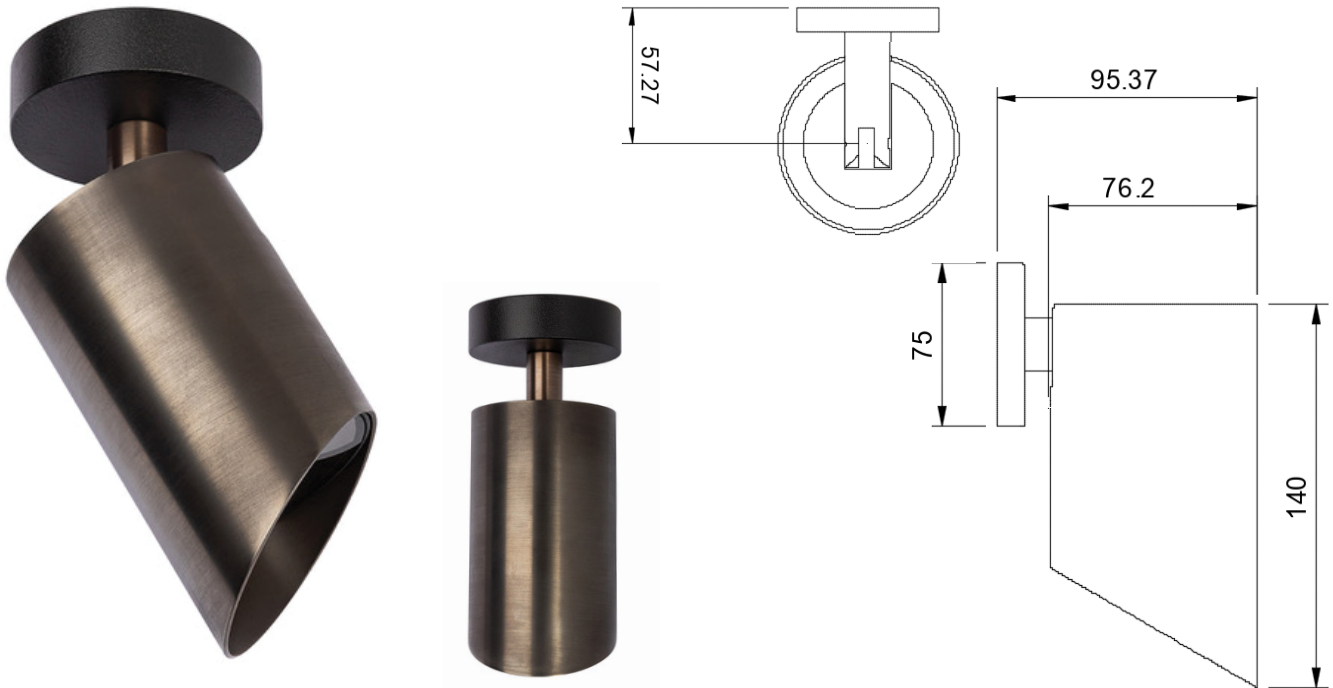


Description:

Belonging to the **Firefly Family** range, the Firefly XL Spot offers a simple, clean aesthetic available in various colour temperatures, optics, finishes and control options. The Firefly Family offers a variety of products suitable for various applications. The products contain the same LED chip and optics for a consistent approach. Supplied with cable gland and double insulated cable. The Firefly Family also consists of a **Micro**, **XL** and **Deco** range creating a full suite of products.



Technical:

LED TYPE	VERO 13	CONTROL GEAR	REMOTE
RATED POWER	18W	DIMMING PROTOCOL	DALI - 0-10V - PHASE DIM - ON/OFF
CRI	80	CABLE LENGTH	500MM STANDARD LENGTH
BEAM ANGLES	NOMINATED IN TABLE BELOW	MOUNTING OPTIONS	SURFACE MOUNTED
INPUT POWER / FORWARD VOLTAGE	500mA / 36V	WEIGHT	1.2KG
NOMINAL LUMENS	1200lm	HARDWARE	GLASS LENS, O-RING, GLAND, CABLE
IP RATING	IP65	CONSTRUCTION	MACHINED METAL & HEATSINK
COLOUR TEMPERATURE	2700K - 3000K - 4000K	WARRANTY	2 YEARS

Product Generator: example 7023-PB-M-30-W-14W-1-2

Model	Finish	Beam Angle	CCT	Mounting	Wattage	Dimming	Accessories
NL7023	AB Aged Brass	N Narrow 10°	27 2700K	W Wall Mounted	18W / 500mA	1 DALI	1 Honeycomb Louver
	NB Natural Brass	M Medium 21°	30 3000K			2 0-10V	2 Diffuser Lens
	PB Black	W Wide 33°	40 4000K			3 Phase	
	PW White	EL Elliptical 26°x41°				4 On/Off	

NL7023	-	-	-	-	-	-	-
--------	---	---	---	---	---	---	---